

# Siem-Nova S.r.l.

Street Claudio Varalli n° 1 C/18 C/19 - 20089 ROZZANO (Milan)

tel: +39 02 57510916 - fax: +39 02 57511879

web site: <http://www.siemnova.com>

e-mail: [export@siemnova.com](mailto:export@siemnova.com)



*Siem Nova is a leading company among the leading manufacturers of medical equipment. The equipment manufactured and marketed, thanks to innovative technical solutions used in the design and excellent value for money, are provided to both public health agencies both to private operators. IMQ S.p.A. as Notified Body for the Medical Device Directive 93/42/EEC, approve the CE marking and the identification number is 0051. In over 50 years of experience in the field of electromedicals, Siem Nova has installed thousands of devices and has developed an extensive network of sales and technical support, on which its customers know they can rely on.*



SIEM-NOVA cares about the environment, using materials that are easily recyclable and eco-friendly;  
reserves the right to make technical changes and improvements to its machines at any time and without notice, in compliance with safety and quality.

**Siem-Nova S.r.l.** - Singly held company - VAT: IT-11578000157 - Street Claudio Varalli n° 1 - 20089 ROZZANO (Mi) Italy



+39 02 57510916



+39 02 57511879



[export@siemnova.it](mailto:export@siemnova.it) - <http://www.siemnova.com>

## SURGICAL ASPIRATORS FOR HIGH SUCTION PROCEDURES

Suction Pump is used for suction of blood septic fluids and serous liquids from natural and artificial body orifices of patients in surgery and first aid. The suction pump is extraordinarily powerful, oil-less 120 l/min. Body is epoxy painted and made of non-magnetic anticorrosion aluminum with wheels and equipped with autoclavable or disposable jars according to end user needs.

### ELECTRICAL SURGICAL ASPIRATOR

*Technical characteristics:*

HIGH-VACUUM HIGH-FLUX

Air flow: 120 l/min,  $\pm 7,2 \text{ m}^3/\text{h}$ .

Vacuum level: up to 0.91 bar (690 mmHg)

Adjustable vacuum regulation:  $0 \pm -0,90 \text{ bar}$

Time to reach 0,6 bar: 3,00" with 3000 ml jar

OIL-LESS vacuum pump of extraordinary power

Working: CONTINUOUS OPERATION

Rated voltage: 230 V  $\pm 10\%$ , 50 Hz

Rated power / current: 325 VA

Electrical safety: class I, type B

Degree of protection: IP33

Operation noise level 1mt: <45 dB

Estimated operating life: 10 years

Spare parts availability: 15 years

NON-MAGNETIC ALUMINIUM wheeled case

High corrosion resistance epoxy paint

Compact design and small size

Width 330, Depth 400, H. 965mm

Weight 22 Kg.

Carrying handle

4 large castor wheels: 2 with brake, 1 antistatic

Suitable for use with both disposable bags and jar

Change over switch: jar 1 - jar 2

Mechanical vacuum regulator

High width and visibility vacuum gauge from 0 to -1 bar

Anticontamination with hydrophobic bacterial / viral filters

Over flow jars with floating overflow valves

Pneumatic foot switch ON-OFF-ON

Working conditions: 15 - 40 °C, 10 - 75 % RH

Storage conditions: 10 - 60 °C, 10 - 95 % RH

The unit is under warranty from the dealer that sold you the unit

6110-A1 MAX



#### 6110-A1 MAX

#### INCLUDED ACCESSORIES SET

60750.1	Socket, cable and connector	n. 1
81016	Pneumatic footswitch	n. 1
60973	Polycarbonate jar 3000ml	n. 2
60815	Polycarbonate lid with overflow valves	n. 2
20223	Over flow jar 30ml with overflow valves	n. 2
90020	Clamp holder for jar	n. 4
90063	Clamp bracket for jar	n. 2
66966	Antibacterial/viral filter 8 x 15 mm	n. 6
66233	Silicon tube 7x13mm	6 m

#### OPTIONAL

	Disposable bags and jar	
90060	Polycarbonate jar 4000 ml with lid and overflow valve	
66235	Silicon tube 9x15mm	
66234	Silicon tube 10x16mm	
66246	Pocket for catheters	

### ELECTRICAL SURGICAL ASPIRATOR

In compliance with all standards and Medical Device Directives DDM 93/42 CEE (D.Lgs. 46/97) and subsequent amendments and additions (2007/47/CE) (RDM: 12748/R - CND: Z120105)

SIEM-NOVA cares about the environment, using materials that are easily recyclable and eco-friendly; reserves the right to make technical changes and improvements to its machines at any time and without notice, in compliance with safety and quality.

Siem-Nova s.r.l.

- Singly held company - VAT: IT-11578000157 - Street Claudio Varalli n° 1 - 20089 ROZZANO (Mi) Italy



+39 02 57510916



+39 02 57511879



@ [export@siemnova.it](mailto:export@siemnova.it) - <http://www.siemnova.com>

# SURGICAL ASPIRATORS FOR HIGH SUCTION PROCEDURES



Rev. 00. 2017 A.E.E. n. IT0803000004406

SIEM-NOVA cares about the environment, using materials that are easily recyclable and eco-friendly; reserves the right to make technical changes and improvements to its machines at any time and without notice, in compliance with safety and quality.

**Siem-Nova s.r.l.** - Singly held company - VAT: IT-11578000157 - Street Claudio Varalli n° 1 - 20089 ROZZANO (Mi) Italy

+39 02 57510916 +39 02 57511879 @ [export@siemnova.it](mailto:export@siemnova.it) - <http://www.siemnova.com>

# ANTIBACTERIAL AND ANTIVIRAL HYDROPHOBIC FILTERS

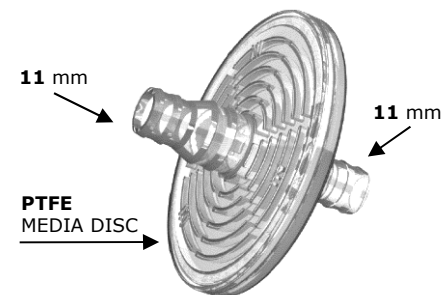
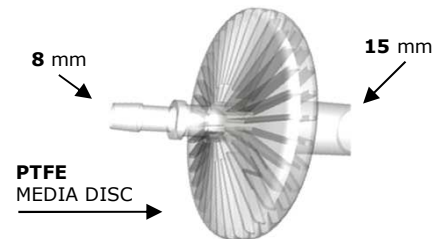
## to be used with organic liquids collection surgical aspirators

The use of ANTIBACTERIAL/VIRAL filter avoids the contamination between the patient and the Siem-Nova surgical aspirator UNI EN ISO 10079/1 directive, point 44.7: effusion, loss, humidity, ingress of liquid, sterilization, disinfection. Mounted with pressure on the tube before the jar of aspirated liquids, of the surgical aspirator in order to avoid both the bacterial pollution of the aspirator and the introduction in the environment of polluted air. The filter is tested following BS 3928 tests and allows an efficacious removal of BACTERIAL and VIRAL micro particles. The PTFE filtering membrane is double acting and avoids the problems linked to the orientation of the aspiration. The Filter is transparent, done in STYROLUX with high resistance, very light prevents aspiration tube twisting.

In compliance with all standards and Medical Device Directives  
DDM 93/42 CEE (D.Lgs. 46/97)  
and subsequent amendments and additions (2007/47/CE)



Code	Description	Box
66966	Antibacterial/viral <b>FILTER 8 x 15 mm</b>	Q.ty 30
66974	Antibacterial/viral <b>FILTER 11 x 11 mm</b>	Q.ty 30
66974.A	Rubber silicone adapter for filter 11x11mm	Q.ty 30



### Technical characteristics:

PTFE HYDROPHOBIC MEDIA DISC filtering membrane,  
High resistance acrylic and transparent STYROLUX casing  
NELSON LABORATORIES USA TEST  
Removes particles from 0,27 µm with an efficiency of 99,9999%  
Bacterial viral removal with a filtering efficiency of 99,9999%  
Filtering area 24.6 cm<sup>2</sup>  
Maximum temperature ≥ 100 degrees C  
Maximum pressure ≥ 1,378 bar (137, 80 kPa )  
Pressure tight 0.69 bar (69,00 kPa) for 10 minutes  
Sterilization compatible with ETHYLENE OXIDE  
Materials used have passed the tests of plastic cito-toxicity

## LIQUID STOP FILTER



High-efficiency and reliability hydrophobic filter "LIQUID STOP"

Combined with the antibacterial filter the Hydrophobic filter "Liquid stop" effectively protect the suction pump not only by the body liquid over flow but also by the small drops in the air (aerosol) due to the suction operation; this small drops cannot be stopped by the over flow floating valve on the lid and usually are stopped by the antibacterial filter but often the operator do not replace this filter as indicated and sometimes this means to break the own filter and to contaminate and damage the pump.

All SIEM NOVA Suction equipment could be equipped with "LIQUID STOP FILTER"

SIEM-NOVA cares about the environment, using materials that are easily recyclable and eco-friendly;  
reserves the right to make technical changes and improvements to its machines at any time and without notice, in compliance with safety and quality.

**Siem-Nova s.r.l.** - Singly held company - VAT: IT-11578000157 - Street Claudio Varalli n° 1 - 20089 ROZZANO (Mi) Italy

+39 02 57510916 +39 02 57511879 @ [export@siemnova.it](mailto:export@siemnova.it) - <http://www.siemnova.com>



# SURGICAL ASPIRATOR FOR LIPOSUCTION

Liposuction with 6110 A1 LIPO MAX is a surgical procedure that allows aspiration and elimination of body fat in specific areas such as the abdomen, hip, thighs and buttocks.

**6110-A1 LIPO MAX**  
**Code: 66193.1**

## ELECTRICAL SURGICAL ASPIRATOR

In compliance with all standards and Medical Device Directives DDM 93/42 CEE (D.Lgs. 46/97) and subsequent amendments and additions (2007/47/CE) (RDM: 12748/R – CND: Z120105)



### Technical characteristics:

HIGH-VACUUM HIGH-FLUX  
Air flow: 120 l/min,  $\pm 7,2$  m<sup>3</sup>/h.  
Vacuum level: up to 0.91 bar (690 mmHg)  
Adjustable vacuum regulation: 0  $\pm$  -0,91 bar  
Time to reach 0,6 bar: 3,00" with 3000 ml jar

### OIL-LESS vacuum pump of extraordinary power

Working: CONTINUOUS OPERATION  
Rated voltage: 230 V  $\pm$  10%, 50 Hz  
Rated power / current: 325 VA  
Electrical safety: class I, type B  
Degree of protection: IP33  
Operation noise level 1mt: <45 dB  
Estimated operating life: 10 years  
Spare parts availability: 15 years

### NON-MAGNETIC ALUMINIUM wheeled case

High corrosion resistance epoxy paint  
Compact design and small size  
Width 330, Depth 400, H. 965mm  
Weight 22 Kg.  
Carrying handle  
4 large castor wheels: 2 with brake, 1 antistatic  
Suitable for use with both disposable bags and jar  
Change over switch switch: jar 1 – jar 2  
Mechanical vacuum regulator  
High width and visibility vacuum gauge from 0 to -1 bar  
Anticontamination with hydrophobic bacterial / viral filters  
Over flow jars with floating overflow valves  
Pneumatic foot switch ON-OFF-ON  
Working conditions: 15 – 40 °C, 10 - 75 % RH  
Storage conditions: 10 – 60 °C, 10 - 95 % RH  
The unit is under warranty from the dealer that sold you the unit



6110-A1 LIPO MAX Code: 66193.1

### INCLUDED ACCESSORIES SET

60750.1	Socket, cable and connector	n. 1
81016	Pneumatic footswitch	n. 1
60973	Polycarbonate jar 3000 ml with lid and overflow valve	n. 2
90020	Clamp holder for jar	n. 2
90063	Clamp bracket for jar	n. 2
66966	Antibacterial/viral filter 8 x 15 mm	n. 6
66233	Silicon tube 7x13mm	6 m
66235	Silicon tube 9x15mm	4 m

### OPTIONAL

	Disposable liposuction cannulas	
	Reusable liposuction cannulas	
	Reusable liposuction handle	
	Disposable bags and jar	
90060	Polycarbonate jar 4000ml with lid	
60972	Polycarbonate jar 2000ml	
60974	Polycarbonate jar lid	
66234	Silicon tube 10x16mm	

SIEM-NOVA cares about the environment, using materials that are easily recyclable and eco-friendly; reserves the right to make technical changes and improvements to its machines at any time and without notice, in compliance with safety and quality.

**Siem-Nova s.r.l.** - Singly held company - VAT: IT-11578000157 - Street Claudio Varalli n° 1 - 20089 ROZZANO (Mi) Italy

+39 02 57510916 +39 02 57511879 @ [export@siemnova.it](mailto:export@siemnova.it) - <http://www.siemnova.com>

## FETAL OBSTETRIC VACUUM EXTRACTOR

It is used to accelerate the accomplishment of the child-birth in case of: a) delay in advancement of the head for uterine contractions' lack of effects; b) woman not collaborating in the expulsive period; c) start of fetal suffering. The obstetric SUCTION CUP VACUUM EXTRACTOR is a small stainless steel or silicone cup, connected through a tube to an high reliability aspiration pump with continuous aspiration. Vacuum regulation is done in 4 phases with mechanical functioning and with automatic switch ON-OFF.

6110-A9 MAX

VACUUM EXTRACTOR  
ELECTRICAL SURGICAL ASPIRATOR  
In compliance with all standards and  
Medical Device Directives DDM 93/42 CEE (D.Lgs. 46/97)  
and subsequent amendments and additions (2007/47/CE)  
(RDM: 57729/R – CND: Z12080301)

CE 0051

Technical characteristics:  
HIGH-VACUUM HIGH-FLUX  
Air flow: 90 l/min,  $\pm 5,4 \text{ m}^3/\text{h}$ .  
Vacuum level: up to 0.91 bar (690 mmHg)  
Adjustable vacuum regulation:  $0 \pm -0,90 \text{ bar}$   
Time to reach 0,6 bar: 3,00" with 3000 ml jar

OIL-LESS vacuum pump of extraordinary power  
Working: CONTINUOUS OPERATION  
Rated voltage: 230 V  $\pm 10\%$ , 50 Hz  
Rated power / current: 280 VA  
Electrical safety: class I, type B  
Degree of protection: IP33  
Operation noise level 1mt: <45 dB  
Estimated operating life: 10 years  
Spare parts availability: 15 years

NON-MAGNETIC ALUMINIUM wheeled case  
High corrosion resistance epoxy paint  
Compact design and small size  
Width 330, Depth 400, H. 965mm  
Weight 22 Kg.  
Carrying handle  
4 large castor wheels: 2 with brake, 1 antistatic  
Suitable for use with both disposable bags and jar  
Change over switch switch: jar 1 – jar 2

Mechanical vacuum regulator  
with 4 aspiration level degrees: 0.2, 0.4, 0.6, 0.8 bar  
High width and visibility vacuum gauge from 0 to -1 bar

Anticontamination  
with hydrophobic bacterial / viral filters  
Over flow jars with floating overflow valves  
Pneumatic foot switch ON-OFF-ON  
Working conditions: 15 – 40 °C, 10 - 75 % RH  
Storage conditions: 10 – 60 °C, 10 - 95 % RH  
The unit is under warranty  
from the dealer that sold you the unit



6110-A9 VACUUM EXTRACTOR MAX Code: 66199

INCLUDED ACCESSORIES SET		
60750.1	Socket, cable and connector	n. 1
81016	Pneumatic footswitch	n. 1
60961	Polycarbonate jar serres 2000 ml	n. 2
60815	Polycarbonate lid for jar with overflow valves	n. 2
90021	Clamp holder for jar serres	n. 2
66966	Antibacterial/viral filter 8 x 15 mm	n. 6
66233	Silicon tube 7x13mm	6 m
60905	Waste valve	n. 1
60871	Suction cup stainless steel with chain Ø 50mm	n. 1
60872	Suction cup stainless steel with chain Ø 60mm	n. 1
OPTIONAL		
60870	Suction cup stainless steel with chain Ø 40mm	n. 1
60879	Suction cup silicon soft Silc Cup Ø 50mm	n. 1
60880	Suction cup silicon soft Silc Cup Ø 60mm	n. 1

SIEM-NOVA cares about the environment, using materials that are easily recyclable and eco-friendly;  
reserves the right to make technical changes and improvements to its machines at any time and without notice, in compliance with safety and quality.

**Siem-Nova s.r.l.** - Singly held company - VAT: IT-11578000157 - Street Claudio Varalli n° 1 - 20089 ROZZANO (Mi) Italy

+39 02 57510916 +39 02 57511879 @ [export@siemnova.it](mailto:export@siemnova.it) - <http://www.siemnova.com>

# FETAL OBSTETRIC VACUUM EXTRACTOR

- Carring handle
- High width and visibility vacuum gauge
- Mechanical vacuum step regulator with 4 aspiration level degrees: 0.2, 0.4, 0.6, 0.8 bar

6110-A9 MAX



Change over suction switch: jar 1 - jar 2

Anticontamination Hydrophobic Antibacterial Antiviral filters

Suction cup stainless steel with chain: "Malmström" Ø 40mm, Ø 50mm, Ø 60mm.

Waste valve

Suction cup silicon soft "Silc Cup" Ø 50mm, Ø 60mm.

Pneumatic footswitch

SIEM-NOVA cares about the environment, using materials that are easily recyclable and eco-friendly; reserves the right to make technical changes and improvements to its machines at any time and without notice, in compliance with safety and quality.

**Siem-Nova s.r.l.** - Singly held company - VAT: IT-11578000157 - Street Claudio Varalli n° 1 - 20089 ROZZANO (Mi) Italy

+39 02 57510916 +39 02 57511879 @ [export@siemnova.it](mailto:export@siemnova.it) - <http://www.siemnova.com>

# SURGICAL ASPIRATORS FOR ENDOTRACHEAL ASPIRATION

Suction Pump is used for suction of blood septic fluids and serous liquids from natural and artificial body orifices of patients. The suction pump powerful is oil-less 60 l/min. Body is epoxy painted and made of non-magnetic anticorrosion aluminum with wheels and equipped with autoclavable or disposable jar according to end user needs.

**6110-A4 JUNIOR**  
**CODE 66134**

## ELECTRICAL SURGICAL ASPIRATOR

In compliance with all standards and Medical Device Directives  
DDM 93/42 CEE (D.Lgs. 46/97)  
and subsequent amendments  
and additions (2007/47/CE)  
(RDM: 12748/R – CND: Z120105)

### Technical characteristics:

HIGH-VACUUM HIGH-FLUX  
Air flow: 60 l/min,  $\pm 3,5$  m<sup>3</sup>/h.  
Vacuum level: up to 0.80 bar (600 mmHg)  
Adjustable vacuum regulation:  $0 \pm -0,80$  bar  
Time to reach 0,6 bar: 6,80" with 2000 ml jar

CE 0051



Working: CONTINUOUS OPERATION  
Rated voltage: 230 V  $\pm 10\%$ , 50 Hz  
Rated power / current: 95 VA  
Electrical safety: class I, type B  
Degree of protection: IP33  
Operation noise level 1mt: <45 dB  
Estimated operating life: 10 years  
Spare parts availability: 15 years

NON-MAGNETIC ALUMINIUM wheeled case  
High corrosion resistance epoxy paint  
Compact design and small size  
Width 550, Depth 450, H. 350mm  
Weight 6,50 Kg.  
Suitable for use with both disposable bags and JAR  
Mechanical vacuum regulator  
High width and visibility Vacuum gauge from 0 to -1 bar  
Anticontamination with hydrophobic bacterial / viral filters  
Excessive filling control  
Working conditions: 15 – 40 °C, 10 - 75 % RH  
Storage conditions: 10 – 60 °C, 10 - 95 % RH  
The unit is under warranty from the dealer that sold you the unit



6110-A4 JUNIOR	INCLUDED ACCESSORIES SET
60785	Socket, cable and connector
90059.1	Polycarbonate jar 2000 ml with lid
60820	Mechanical overflow valves
90063	Bracket for jar
66966	Antibacterial/viral filter 8x15 mm
66233	Silicon tube set 7x13mm and connections
14001.4	Trolley
	NON-MAGNETIC ALUMINIUM wheeled frame
	OPTIONAL
81016	Pneumatic footswitch
90060	Polycarbonate jar 4000 ml with lid and overflow valve

SIEM-NOVA cares about the environment, using materials that are easily recyclable and eco-friendly;  
reserves the right to make technical changes and improvements to its machines at any time and without notice, in compliance with safety and quality.

**Siem-Nova s.r.l.** - Singly held company - VAT: IT-11578000157 - Street Claudio Varalli n° 1 - 20089 ROZZANO (Mi) Italy

+39 02 57510916 +39 02 57511879 @ [export@siemnova.it](mailto:export@siemnova.it) - <http://www.siemnova.com>



# SUCTION EQUIPMENT DOMI DC FOR HOMECARE, HOSPITAL USE, FIELD USE AND AMBULANCES 12V DC

## DESCRIPTION AND INTENDED USE

The DOMI DC is a rechargeable battery and mains powered suction pump (using the AC/DC power supply adapter). It is manufactured by Siem nova and it is a quality suction pump that combines easy handling and cleaning with safety features to ensure optimal operation. The DOMI DC suction pumps are indicated for aspiration and removal of secretions, body fluids and foreign objects especially from a patient's air way. It could be a respiratory support system in the nasal, pharyngeal and tracheal areas of pediatric and adult patients. The suction pump is suitable for use at home, in the hospital, outdoors (with batteries or using a car light adapter power cord) and mounted on emergency vehicle (ambulances). The DOMI DC suction pump is indicated to clear the airways either through the nose, mouth or tracheostomy tube.

Model: DOMI DC  
Code: 66131



## INTENDED USERS

The DOMI AC should only be operated by properly instructed users.

## SERVICE LIFE

The service life of the device is five years.

## COMPLIANCE

ELECTRICAL SURGICAL ASPIRATOR  
DOMI AC is in compliance with DDM 93/42 CEE (D.Lgs. 46/97) and following updates and integrations (2007/47/CE) (BD/RDM: 1571602 – CND: Z120105)  
HIGH-VACUUM HIGH-FLUX

CE0051

Dimensions ( h x w x l):	200x160x300mm (7.8x6x11.8 inches) 200x165x300mm (7.8x6.3x11.8 inches) with bracket
Power supply ac/dc Adapter	Input: 110-240 Vac; 1.5 A max; 50/60 Hz Output: 12 V DC, 3A 36W
Battery:	Iron Phosphate lithium (LiFePO4 12.8V 2-2,4A)
Operating cycle:	continuous
flow rate (before the filter):	> 40 litres/minute (+/- 10 %)
Standard Canister volume	1000 ml
weight (without canister):	1,7 kg / 5,75 lbs approx
max. vacuum level:	- 600 mmHg / - 80 kPa- 0,8bar (+/- 15 %) Measured at 0 meter, atmospheric pressure: 1013.25 hPa.
battery autonomy	45 min (continuous use) approx
Recharge time	5 hours approx
CEI EN60601-1 Classification:	- Class II device (when connected with AC/DC Adapter). - Device with internal electrical poer surge (when used with battery) - Applied part type BF - Device not suitable for use in presence of flameable anaesthetic mixture with air, oxygen or nitrogen protoxid.
UNI EN ISO10079-1 Classification:	- equipmnet with HIGH VACUUM level and HIGH FLOW - Equipment suitable for field use and for Ambulances.

SIEM-NOVA cares about the environment, using materials that are easily recyclable and eco-friendly;  
reserves the right to make technical changes and improvements to its machines at any time and without notice, in compliance with safety and quality.

**Siem-Nova s.r.l.** - Singly held company - VAT: IT-11578000157 - Street Claudio Varalli n° 1 - 20089 ROZZANO (Mi) Italy

+39 02 57510916 +39 02 57511879 @ export@siemnova.it - http://www.siemnova.com

# SUCTION EQUIPMENT DOMI DC FOR HOMECARE, HOSPITAL USE, FIELD USE AND AMBULANCES 12V DC



Model: DOMI DC  
Code: 66131



Code	Model: DOMI DC - Code: 66301	
	<b>INCLUDED ACCESSORIES SET</b>	
	Jar available different models and capacity up to two liters (see code)	
60971	Reusable jar 1000 ml mod. Liner flovac (cod.60971) or use with single-use bags (code 60965) or reusable lid (cod.60815).	n. 1
60815	Reusable polycarbonate lid with: "V" Gasket (code 60821) over flow valve with gasket and floater (code 60816) Yellow rubber hose (code 60825)	n. 1
66600	Yellow silicone rubber stripes for fixing the jars	n. 2
60974	Hydrophobic and antibacterial filter	n. 2
66601	Suction tube (VACUUM) with two 90hose (yellow silicone rubber) (code 60819)	n. 1
94139	Patient tube (PATIENT) with hose F and FM (sterile)	n. 1
66605	Car light adapter power cord (5 meters lenght)	n. 1
66603	Rechargeable lithium Fe Phosphate battery (12,8 V 2-2,4 Ah)	n. 1
66604	36 W AC/ DC power adapter with electric cable: model GSM36E12-P1J produced by MEAN WELL	n. 1
	<b>OPTIONAL</b>	
66609	Liquid stop filter with tubing connection	
66607	Transport bag	
66606	Wall bracket	
90058	Jar 1000 ml mod MAK 1000 + Lid	
60960	Reusable jar 1000 ml mod. SERRES (cod.60960) for use with single-use bags (code 60950)	
60961	Reusable jar 2000 ml mod. SERRES (cod.60961) or use with single-use bags (code 60951) or reusable lid (cod.60815).	
60972	Reusable jar 2000 ml mod. Liner flovac (cod.60972) or use with single-use bags (code 60966) or reusable lid (cod.60815).	

SIEM-NOVA cares about the environment, using materials that are easily recyclable and eco-friendly; reserves the right to make technical changes and improvements to its machines at any time and without notice, in compliance with safety and quality.

**Siem-Nova s.r.l.** - Singly held company - VAT: IT-11578000157 - Street Claudio Varalli n° 1 - 20089 ROZZANO (Mi) Italy

+39 02 57510916 +39 02 57511879 @ [export@siemnova.it](mailto:export@siemnova.it) - <http://www.siemnova.com>

# SUCTION EQUIPMENT FOR HOMECARE AND HOSPITAL USE 230V AC

## DESCRIPTION AND INTENDED USE

This suction pump DOMI AC from Siem nova is a quality suction pump that combines easy handling and cleaning with safety features to ensure optimal operation. The DOMI AC suction pumps are indicated for aspiration and removal of secretions, body fluids and foreign objects especially from a patient's air way. It could be a respiratory support system in the nasal, pharyngeal and tracheal areas of pediatric and adult patients.

The suction pump is suitable for use at home and in the hospital

The DOMI AC suction pump is indicated to clear the airways either through the nose, mouth or tracheostomy tube.

Model: DOMI AC  
Code: 66132



## INTENDED USERS

The DOMI AC should only be operated by properly instructed users.

## SERVICE LIFE

The service life of the device is five years.

## COMPLIANCE

ELECTRICAL SURGICAL ASPIRATOR

DOMI AC is in compliance with DDM 93/42 CEE (D.Lgs. 46/97) and following updates and integrations (2007/47/CE) (BD/RDM: 1571592 – CND: Z120105) HIGH-VACUUM HIGH-FLUX

CE0051

Dimensions ( h x w x l):	200 x 150 x 300 mm (7.8 x 6 x 11.8 inches)
Voltage	230 VAC ; 50 Hz; 130 VA (other voltages available on request)
Operating cycle:	continuous
flow rate (before the filter):	> 30 litres/minute (+/- 10 %)
Standard Canister volume	1000 ml
weight (without canister):	2,1 kg / 4.5 lbs approx
max. vacuum level:	- 600 mmHg / - 80 kPa- 0,8bar (+/- 15 %) Measured at 0 meter, atmospheric pressure:1013.25 hPa.
CEI EN 60601-1 Classification:	- Class II device (when connected with AC/DC Adapter). - Device with internal electrical poer surge (when used with battery) - Applied part type BF - Device not suitable for use in presence of flameable anaesthetic mixture with air, oxygen or nitrogen protoxid.
UNI EN ISO 10079-1 Classification:	- Equipment WITH HIGH vacuum level and HIGH FLOW

SIEM-NOVA cares about the environment, using materials that are easily recyclable and eco-friendly; reserves the right to make technical changes and improvements to its machines at any time and without notice, in compliance with safety and quality.

**Siem-Nova s.r.l.** - Singly held company - VAT: IT-11578000157 - Street Claudio Varalli n° 1 - 20089 ROZZANO (Mi) Italy



+39 02 57510916



+39 02 57511879



export@siemnova.it - <http://www.siemnova.com>

## SUCTION EQUIPMENT FOR HOMECARE AND HOSPITAL USE 230V AC



Model: DOMI AC  
Code: 66132



Code	Model: DOMI AC - Code: 66302	
	<b>INCLUDED ACCESSORIES SET</b>	
	Jar available different models and capacity up to two liters (see code)	
60971	Reusable jar 1000 ml mod. Liner flovac (cod.60971) or use with single-use bags (code 60965) or reusable lid (cod.60815).	n. 1
60815	Reusable polycarbonate lid with: "V" Gasket (code 60821) over flow valve with gasket and floater (code 60816) Yellow rubber hose (code 60825)	n. 1
66600	Yellow silicone rubber stripes for fixing the jars	n. 2
60974	Hydrophobic and antibacterial filter	n. 2
66601	Suction tube (VACUUM) with two 90° hose (yellow silicone rubber) (code 60819)	n. 1
94139	Patient tube (PATIENT) with hose F and FM (sterile)	n. 1
66602	Power cord	n. 1
	<b>OPTIONAL</b>	
66609	Liquid stop filter with tubing connection	
66607	Transport bag	
66606	Wall bracket	
90058	Jar 1000 ml mod MAK 1000 + Lid	
60960	Reusable jar 1000 ml mod. SERRES (cod.60960) for use with single-use bags (code 60950)	
60961	Reusable jar 2000 ml mod. SERRES (cod.60961) or use with single-use bags (code 60951) or reusable lid (cod.60815).	
60972	Reusable jar 2000 ml mod. Liner flovac (cod.60972) or use with single-use bags (code 60966) or reusable lid (cod.60815).	

SIEM-NOVA cares about the environment, using materials that are easily recyclable and eco-friendly; reserves the right to make technical changes and improvements to its machines at any time and without notice, in compliance with safety and quality.

**Siem-Nova s.r.l.** - Singly held company - VAT: IT-11578000157 - Street Claudio Varalli n° 1 - 20089 ROZZANO (Mi) Italy

+39 02 57510916 
 +39 02 57511879 
 [export@siemnova.it](mailto:export@siemnova.it) - <http://www.siemnova.com>

Rev. 00. 2017 A.E.E. n. IT0803000004406



## SMOKE FILTRATION SYSTEM

The big variety of laser and electro-surgical instruments utilized today in operation theatre has something in common: all generate surgical smoke. Surgical smoke's elements that give risks both to patients and operation theatre's staff are: dangerous chemical products, vital virus, vital and non vital particles. Scientific literature gives both advices and rules related to surgical smoke, to help doctors when is necessary to use products requiring a good protection against surgical smoke. This product has the purpose to give a proper protection filtering and clearing out surgical smoke.

**FILTRUM®**  
Cod.81000



### SMOKE SURGICAL ASPIRATOR

#### HIGH-FLUX

Technical characteristics:

Operating conditions: continuous operation

Rated voltage: 230 V ± 10%, 50 Hz

Rated power / current: 320 VA

Electrical safety: class I, type B

Degree of protection: IP33

Patented soundproofing device

Operation noise level 1mt: <45 dB

Estimated operating life: 10 years

Spare parts availability: 15 years

Anti-crash polystyrene painted bogie (TSG)

Width 310, Depth.330, H.175 mm

Weight 8 Kg

OIL-LESS Suction pump

AIR FLOW: 600 l/min controlled

Manual aspiration level regulator

Pneumatic foot switch ON-OFF-ON

Operation noise level lower than 48 dB

#### HEPA /CARBON Filter

Bacterial/Viral Efficiency: 99.9999%

Special carbon removes fumes

and volatile organic components from airstream

#### MAXIPLEAT ULPA SMOKE REMOVAL

Bacterial/Viral Efficiency: 99.99999%

Removes all pollutants down to 0.027 micron

Global efficiency with combined Ulpa and Hepa Filter:

99,999999% down to 0,027 micron

The unit is under warranty

from the dealer that sold you the unit

In compliance with all standards and Medical Device Directives DDM 93/42 CEE (D.Lgs. 46/97) and subsequent amendments and additions (2007/47/CE) (RDM: 12791/R – CND: Z12019004)



FILTRUM® Cod.81000

#### INCLUDED ACCESSORIES SET

60750.1	Socket, cable and connector	n. 1
81016	Pneumatic footswitch ON-OFF-ON	n. 1
81001	HEPA-CARBON FILTER	n. 1
81002	ULPA FILTER VIRAL-BACTERIAL	n. 2
14032	Corrugated Tube diam. 22 mm.	2,5 m
81014	Hose for connection to the surgical handle	n. 1
14030	Flexible arm with connection to the corrugated tube	n.1

#### OPTIONAL

14001.4	Trolley	
81018	120 mm hood for connection to the corrugated hose	

SIEM-NOVA cares about the environment, using materials that are easily recyclable and eco-friendly; reserves the right to make technical changes and improvements to its machines at any time and without notice, in compliance with safety and quality.

**Siem-Nova s.r.l.** - Singly held company - VAT: IT-11578000157 - Street Claudio Varalli n° 1 - 20089 ROZZANO (Mi) Italy



+39 02 57510916



+39 02 57511879



export@siemnova.it - <http://www.siemnova.com>

## FILTER SMOKE REMOVAL BACTERIAL/VIRAL

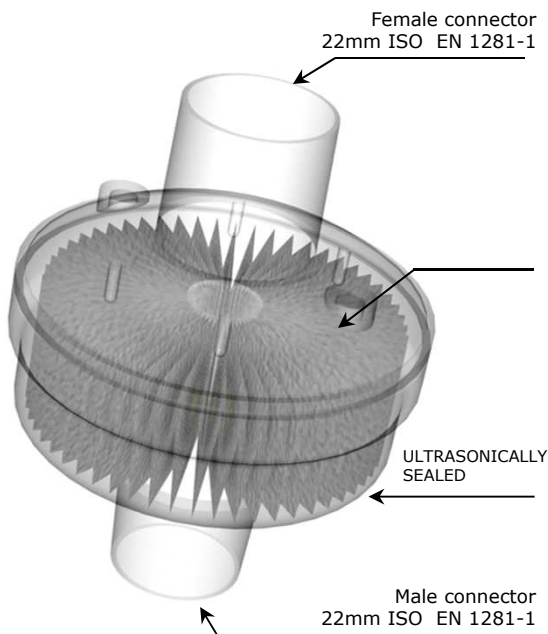
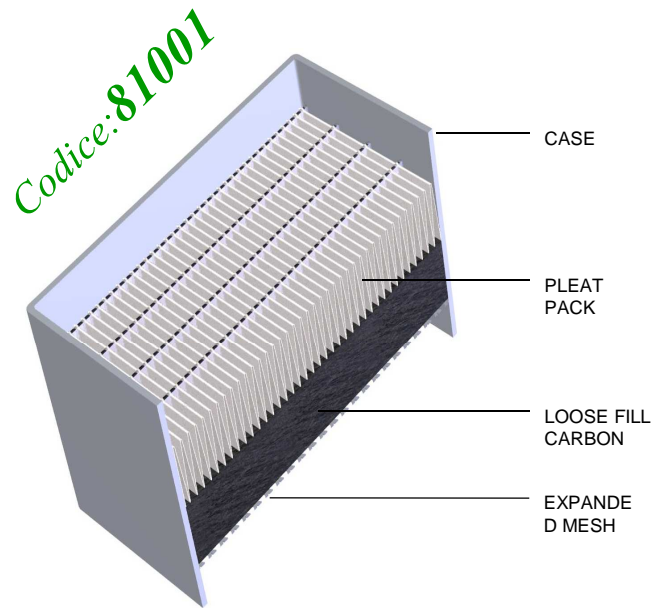
The Anti-Bacterial/Anti-Viral Filter with filtering pleated membrane is mounted on the Smoke Filtration System, model *FILTRUM®* SIEM-NOVA, to filter smokes coming from electro-surgical or laser procedures and to protect patients and sanitary staff.

Smokes produced during electro or laser surgical operations have an unpleasant, strong and persistent smell. These smells are organic gas, water steam, visible and non-visible solid particles and viral particles. It is good rule to aspire and filter surgical smokes.

The increase of laser or electrotome surgical extirpation operations, together with the risks of infection through inhalation of HIV, HPV, HBV virus, has increased the use of smoke filtration and aspiration systems. Tested following BS3928(sodium flame), test carried out by "CAMR PORTON DOWN" Center to test military face masks.

### HEPA-CARBON FILTER CODE: 81001

99.9999% bacterial/viral filtration efficiency. Removes all pollutants with a dimension smaller than 0.027 micron. Its peculiarity is the special carbon that removes fumes, smells and volatile organic components from air. The Filter has a big pleated surface and the structure has a depth of 70 mm to assure high performance with high air flux. To be applied into the recess with hermetic sealing, fitted in front of *FILTRUM®* SMOKE FILTRATION SYSTEM device.



Codice: 81002

### Disposable ANTI-BACTERIAL/ANTI-VIRAL MAXIPLEAT ULPA FILTER, CODE 81002

The big dimension of the filtering pleated membrane allows a minimum aspiration flux loss and an efficient removal of bacterial and viral micro particles. Filters down to 99.999% from 0.3 micron to 0.027 micron

Filtering efficiency:

Bacterial filtration efficiency 99.99999%

Viral filtration efficiency 99.99989%

Casing: high impact traslucent styrolux

Dimensions: diameter 66 mm, High 85 mm

Filter structure is very light

Male connector of 22mm and female connector of 22 mm assure connections with no flux loss

SIEM-NOVA cares about the environment, using materials that are easily recyclable and eco-friendly; reserves the right to make technical changes and improvements to its machines at any time and without notice, in compliance with safety and quality.

**Siem-Nova s.r.l.** - Singly held company - VAT: IT-11578000157 - Street Claudio Varalli n° 1 - 20089 ROZZANO (Mi) Italy

☎ +39 02 57510916 📄 +39 02 57511879 @ [export@siemnova.it](mailto:export@siemnova.it) - <http://www.siemnova.com>